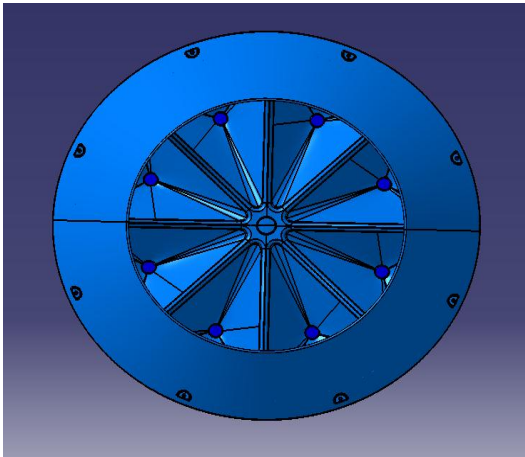


# Mechanical Patternators

## i) Sector Patternator



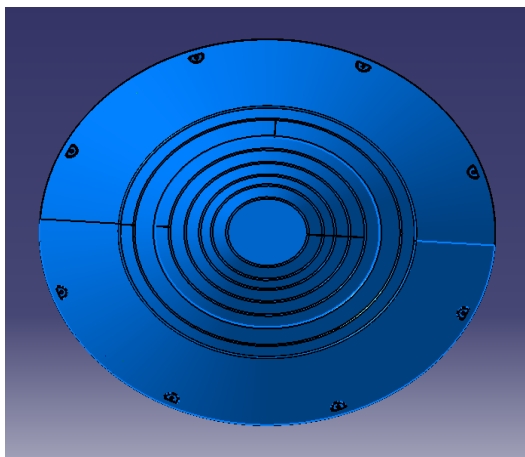
a) Sector patternator model



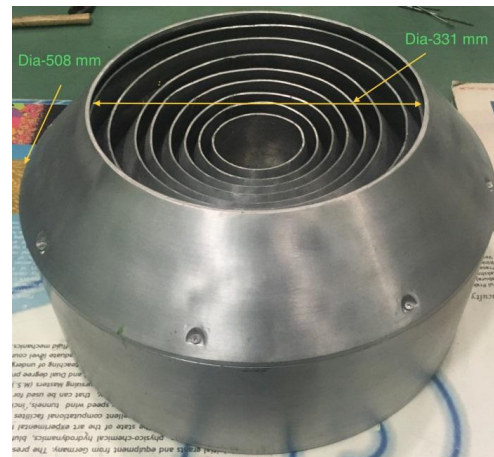
b) Sector patternator product

Sector patternator has equally divided an eight sector with the reference of area and volume. Patternator is designed for thirteen inch of spray collection chamber. The top portion of each walls of the sectors are knife edge to avoid the flashback and bottom of each sectors have individual drain hole to measure the volume of the fuel.

## ii) Radial patternator



c) Radial patternator model



d) Radial patternator product

The Radial Patternator is also identical of sector patternator, only the difference is in the inner division of the patternator. It consists of eight divisions, which are concentric to each other, and bottom of each surface is designed in such a way that the fuel is directed into the hole in each division to measure the volume of the fuel.